



HENRY PARK PRIMARY SCHOOL
2025 TERM REVIEW 1
MATHEMATICS
PRIMARY 6

Booklet A : _____ / 20

Booklet B : _____ / 25

Total : _____ / 45

Name: _____ ()

Class: Primary 6 _____

Date: _____ Parent's signature: _____

Booklet A

Questions 1 to 10 carry 1 mark each. Questions 11 to 15 carry 2 marks each.

For each question, four options are given. One of them is the correct answer.

Make your choice (1, 2, 3 or 4) and shade your answer in the Optical Answer Sheet.

(20 marks)

1. There were 754 973 tourists who visited Universal Studios last year. Express this number to the nearest thousand.

(1) 750 000

(2) 754 000

(3) 755 000

(4) 760 000

2. Express 1.6 as a percentage.

(1) 0.016%

(2) 0.16%

(3) 16%

(4) 160%

3. Which of the following is most likely to be the mass of a can of coke?

- (1) 350 g
- (2) 350 kg
- (3) 35 g
- (4) 35 kg

4. Mandy has some red, blue and green marbles. For every 3 red marbles in the bag, there are 5 blue marbles. There are 8 green marbles for every 5 blue marbles. Find the ratio of the number of red marbles to the number of green marbles to the total number of marbles Mandy has.

- (1) 3 : 5 : 8
- (2) 3 : 5 : 21
- (3) 3 : 8 : 11
- (4) 3 : 8 : 16

5. In a class, there were 18 girls and 12 boys. What percentage of the pupils in the class were boys?

- (1) 150%
- (2) 60%
- (3) 40%
- (4) 12%

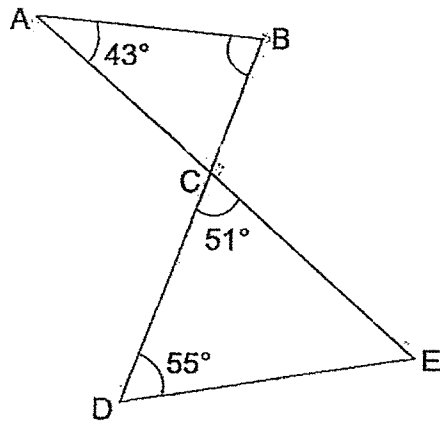
6. A machine takes 7 minutes to fill 560 bottles. How many bottles can the machine fill in 4 minutes?

- (1) 80
- (2) 140
- (3) 980
- (4) 3200

7. A solid cuboid of height 8 cm has a square base of side 4 cm. What is its volume?

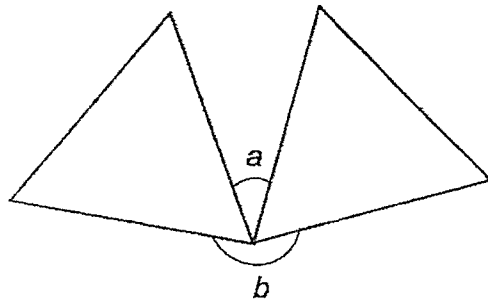
- (1) 16 cm^3
- (2) 32 cm^3
- (3) 128 cm^3
- (4) 256 cm^3

8. In the figure below, ACE and BCD are straight lines.
 $\angle DCE = 51^\circ$, $\angle CAB = 43^\circ$ and $\angle CDE = 55^\circ$. Find $\angle ABC$.



- (1) 55°
- (2) 74°
- (3) 82°
- (4) 86°

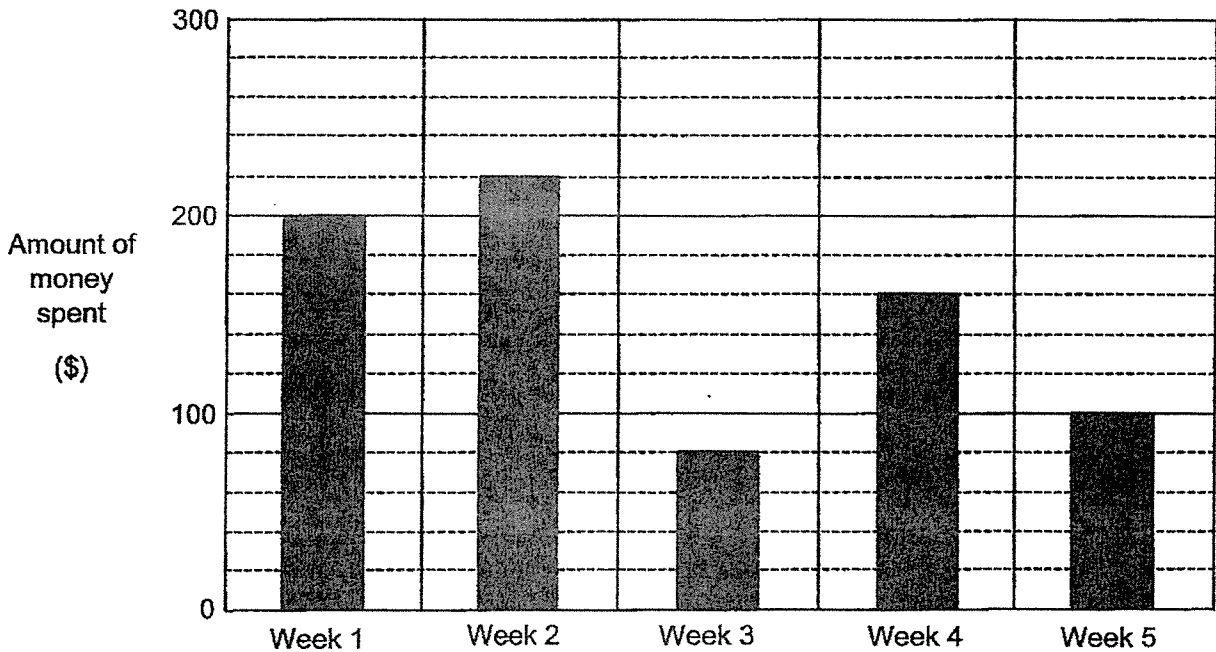
9. The two triangles below are equilateral triangles. Find the sum of $\angle a$ and $\angle b$.



- (1) 60°
- (2) 120°
- (3) 240°
- (4) 300°

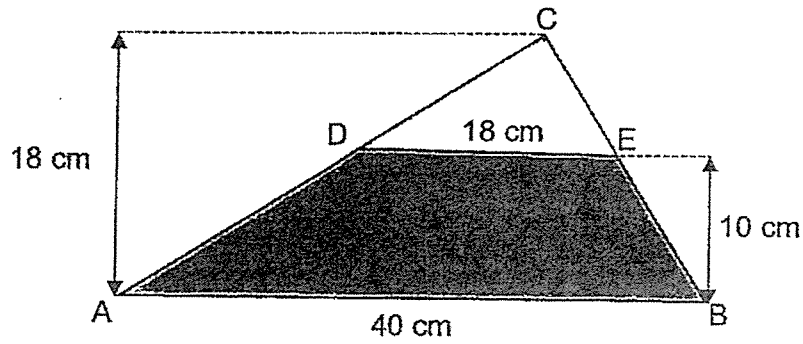
Use the information below to answer Questions 10 and 11.

Hassan earns \$300 each week. The line graph below shows the amount of money he spent each week over 5 weeks.



10. In which week did Hassan spend the most money?
- (1) Week 1
 - (2) Week 2
 - (3) Week 3
 - (4) Week 4
11. What was the total amount Hassan saved from Week 1 to Week 3?
- (1) \$400
 - (2) \$500
 - (3) \$740
 - (4) \$760

12. ABC is a triangle. AB is parallel to DE. Find the area of the shaded part.



- (1) 72 cm^2
- (2) 200 cm^2
- (3) 288 cm^2
- (4) 360 cm^2
13. The ratio of the number of pears to the number of oranges to the number of apples in a box is 7 : 2 : 4. The total number of fruits is 117. How many more pears than apples are there in the box?
- (1) 99
- (2) 63
- (3) 36
- (4) 27

14. The first 15 numbers of a pattern are given below.

5, 0, 8, 6, 5, 0, 8, 6, 5, 0, 8, 6, 5, 0, 8, ...
1st 15th

What is the 274th number?

- (1) 0
(2) 5
(3) 6
(4) 8
15. There were some girls and boys in the school hall. An equal number of boys and girls wear spectacles. $\frac{1}{2}$ of the girls and $\frac{4}{7}$ of the boys do not wear spectacles. What fraction of the children wears spectacles?

- (1) $\frac{6}{13}$
(2) $\frac{7}{13}$
(3) $\frac{7}{15}$
(4) $\frac{8}{15}$



HENRY PARK PRIMARY SCHOOL
2025 TERM REVIEW 1
MATHEMATICS
PRIMARY 6

Name: _____ ()

Booklet B : _____ / 25

Date: _____ Parent's signature: _____

Booklet B

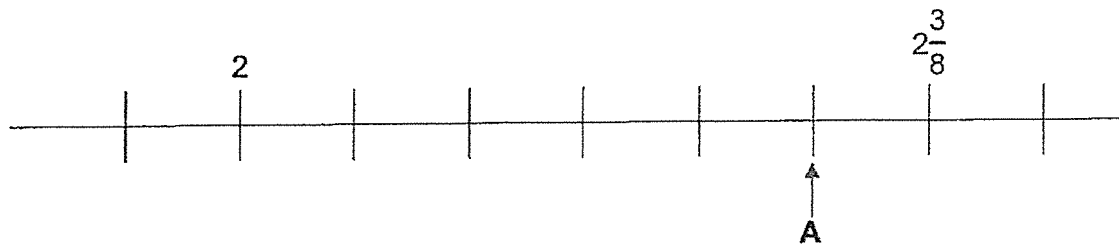
Questions 16 to 20 carry 1 mark each. Write your answers in the spaces provided. For questions which require units, give your answers in the units stated.

(5 marks)

16. Find the value of $72 \div (8 - 2 \times 3) + 77$

Ans: _____

17. In the number line below, what is the value of A?

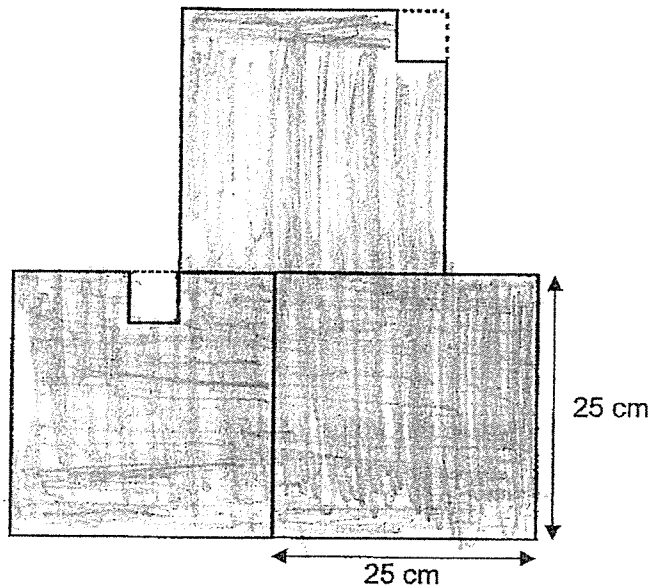


Ans: _____

18. In a test, the number of marks Shane and Kyle scored were in the ratio 3 : 7. Shane scored 16 fewer marks than Kyle. How many marks did Kyle score?

Ans: _____

19. 3 identical grey square tiles of sides 25 cm were glued together. Lisa then cut out 2 identical 7-cm squares as shown below. Find the perimeter of the figure in grey.



Ans: _____ cm

20. Raju went on a hike at Bukit Timah Hill. The hike started at 6.20 a.m. and ended at 3.10 p.m. on the same day. How long was the hike? Give your answer in hours and minutes.

Ans: _____ h _____

Questions 21 to 30 carry 2 marks each. Show your working clearly and write your answers in the spaces provided. For questions which require units, give your answers in the units stated.

(20 marks)

21. Terry had twice as many two-dollar notes as five-dollar notes. He had \$378 altogether. How many five-dollar notes did Terry have?

Ans: _____

22. Suzy packed a 13-kg bag of flour into small packets. Each packet contained $\frac{2}{5}$ kg of flour. How much flour was left in the bag? Express your answer as a fraction in its simplest form.

Ans: _____ kg

23. A sum of money was shared between Ali and Vikram in the ratio 2 : 5. Vikram gave $\frac{1}{4}$ of his share to Ali. What is the new ratio of Ali's share to Vikram's share of the money?

Ans: _____

24. There were a total of 400 green and yellow balls in a container. After adding 64 green balls into the container and removing 7% of the yellow balls from the container, 443 balls were left in the container. How many yellow balls were left in the container at the end?

Ans: _____

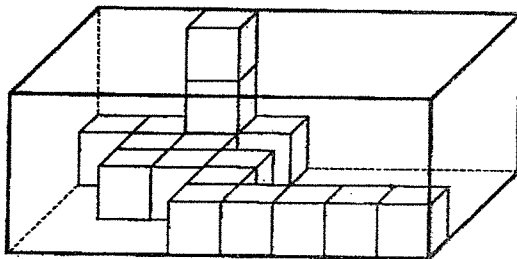
25. The table shows the parking rate at a shopping mall.

First hour	\$3.20
After the first hour	\$1.60 per 30 min or part thereof

Ben parked his car at the shopping mall from 4.45 p.m. to 7.35 p.m. How much did he have to pay for parking his car?

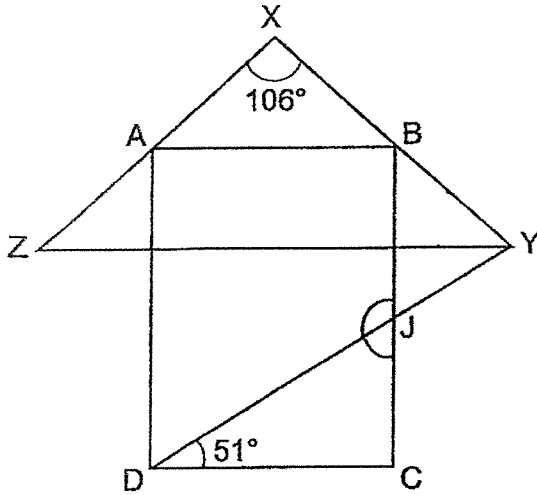
Ans: \$ _____

26. The figure shows a rectangular box partly filled with identical 1-cm cubes. What is the volume of the rectangular box?



Ans: _____ cm³

27. ABCD is a rectangle. XYZ is an isosceles triangle where $XZ = XY$. Find $\angle BJD$.

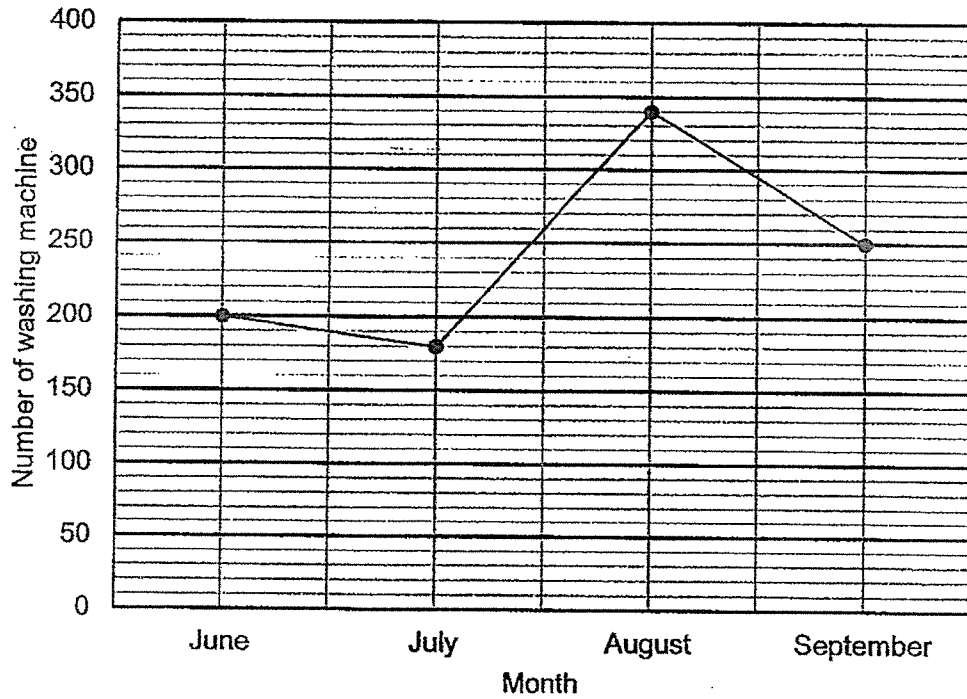


Ans: _____°

28. Suren had an equal number of sunflowers and roses. He gave away $\frac{3}{5}$ of the sunflowers and some roses. In the end, she was left with $\frac{1}{4}$ of the total number of flowers. What fraction of the roses did she give away?

Ans: _____

29. The graph below shows the number of washing machines sold by a shop from June to September.



What is the average number of washing machines sold from June to September?

Ans: _____

30. The table below shows the number of books collected by Evergreen Centre in the years 2023 and 2024. Part of the table is covered by an ink blot. The number of books collected and the total number of books collected were both three-digit numbers.

Types of books	Year 2023	Year 2024
Chinese Books	121	80
Malay Books	65	74
Tamil Books	18	200
Total number of books	3	354

Each of the statement is either true, false or not possible to tell from the information given. For each statement, put a tick (✓) to indicate your answer.

Statement	True	False	Not possible to tell
In the Year 2024, the number of Chinese books collected were 40% of the number of Tamil books collected.			
In the Year 2023, more than 50% of the books collected were Tamil books.			
In the Year 2023, 20% of the books collected were Malay books.			

End of Paper

YEAR : 2025
 LEVEL : PRIMARY 6
 SCHOOL : HENRY PARK PRIMARY SCHOOL
 SUBJECT : MATHEMATICS
 TERM : TERM REVIEW 1

(BOOKLET A)

Q1	3	Q2	4	Q3	1	Q4	4	Q5	3
Q6	4	Q7	3	Q8	4	Q9	3	Q10	2
Q11	1	Q12	3	Q13	4	Q14	1	Q15	1

(BOOKLET B)

Q16	$72 \div 2 + 77 = 113$	Q17	$2\frac{5}{16}$
Q18	$7U - 3U = 4U$ $4U = 16$ $1U = 4$ $7U = 28$	Q19	$25 \times 8 = 200$ $200 + (7 \times 2)$ $= 214\text{cm}$
Q20	8h 50min	Q21	$\$2: 2u \times \$2 = \$4$ $\$5: 1u \times \$5 = \$5$ $\$378 \div \$9 = 42$
Q22	$13 \div \frac{2}{5} = \frac{13}{1} \times \frac{5}{2}$ $= \frac{65}{2}$ $= 32.5$ $\frac{1}{2} \times \frac{2}{5} = \frac{2}{10}$ $= \frac{1}{5}\text{kg}$	Q23	A : V Total same = $8 + 5 : 20 - 5$ $= 13 : 15$
Q24	Total = 400 $7\% \text{ of } Y = 400 - 379 = 21$ $1\% \text{ of } Y = \frac{21}{7}$ $= 3$ $93\% \text{ of } Y = 3 \times 93$ $= 279$	Q25	$4:45\text{pm} - 7:35\text{pm}$ is 50min and 2hrs 1hr = 3.2 1hr 50min = $1.6 \times 4 = 6.4$ $6.4 + 3.2 = \$9.60$
Q26	$8 \times 5 \times 3 = 120\text{cm}^3$	Q27	$180 - 90 - 51 = 39$ $180 - 39 = 141^\circ$
Q28	Left = $\frac{1}{4} \times \text{total}$ $= \frac{1}{4} \times \frac{20}{1} = 5$ giveaway = $\frac{9}{10}$ roses	Q29	$380 + 590 = 970$ $970 \div 4 = 242.5$
Q30	True Not possible to tell False		